

Marmiline, *Engineered Stone*.

A dynamic and universal solution, designed to perfectly complete any space.



anatolia

Marmiline, *Engineered Stone.*

The perfect fit for bathrooms,
showers and doorways.



Marmiline collection

A dynamic and universal solution: pre-sealed*, stain resistant, and designed to perfectly complete any space.

A universal need for every bathroom installation; designers, installers and homeowners have been endlessly seeking a solution for finishing their bathroom tile installations. When installing a shower or tub surround there will ultimately be an area such as the shower curb, or wall where a field tile will need to transitioned or capped. Designed specifically as a finish for shower curbs and doorway thresholds, we also created accessories such as shower benches, corner shelves, and niches.

* Sealing does not prevent etching – avoid acids, strong chemicals and sodium softened water which can etch Marmiline, marble, and other calcium-based stones. Reseal as needed for prolonged performance.

3.5 x 36 in / 89 x 91.4 cm Marmiline Mist Polished Engineered Stone Niche Sill
11.8 x 27.6 in / 30 x 70 cm Marmiline Mist Polished Engineered Stone Niche Back Panel

Colors at a glance



Snow



Ivory



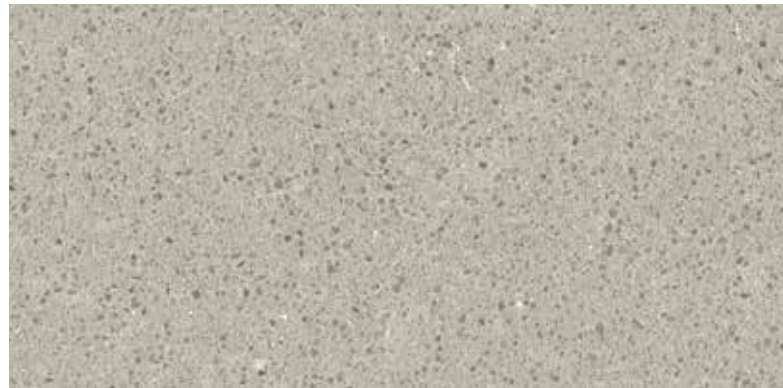
Mist



Pearl



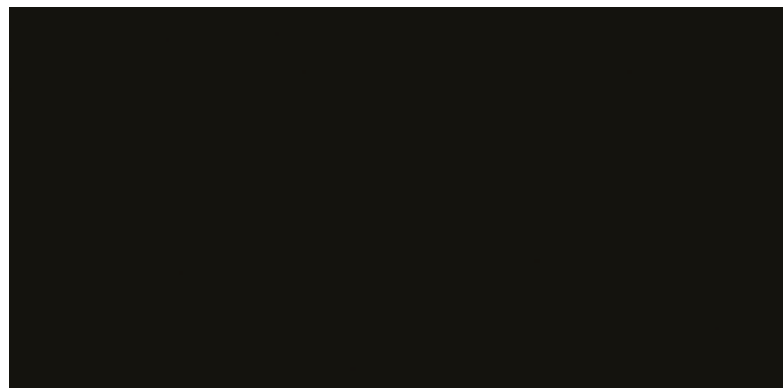
Ash



Fog



Shadow



Midnight

Formats and finishes at a glance



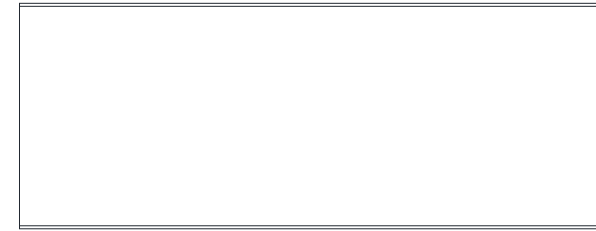
6 x 94.5 in / 15.2 x 240 cm
Sill
Polished



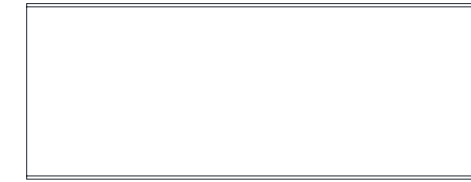
6 x 76 in / 15.2 x 193 cm
Sill
Polished



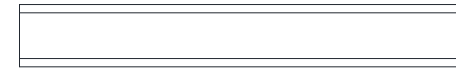
4.5 x 62 in / 11.5 x 157.5 cm
Sill
Polished



18 x 47.2 in / 45.7 x 119.8 cm
Bench
Polished



14 x 36 in / 35.5 x 91.4 cm
Bench
Polished



5 x 36 in / 12.7 x 91.4 cm
Large Bevel Threshold
Polished



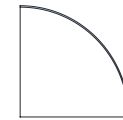
4 x 36 in / 10.2 x 91.4 cm
Threshold
Polished



11.8 x 27.6 in / 30 x 70 cm
Niche Back Panel
Polished

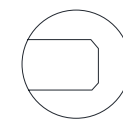


3.5 x 36 in / 89 x 91.4 cm
Niche Sill
Polished

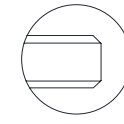


8.9 in / 22.6 cm
Corner Shelf
Polished

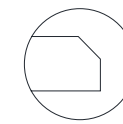
Bevels at a glance



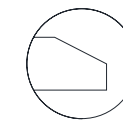
Sill
Bevel



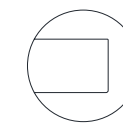
Bench
Bevel



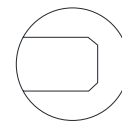
Threshold
Bevel



Large Bevel
Threshold



Niche Sill +
Back Panel Bevel



Corner Shelf
Bevel

Marmiline, *Snow*



18 x 47.2 in / 45.7 x 119.8 cm
Bench
Polished 5503-0000-0



14 x 36 in / 35.5 x 91.4 cm
Sill
Polished 5503-0057-0



6 x 94.5 in / 15.2 x 240 cm
Sill
Polished 5502-0005-0



6 x 76 in / 15.2 x 193 cm
Sill
Polished 5502-0000-0



4.5 x 62 in / 11.5 x 157.5 cm
Sill
Polished 5502-0079-0



5 x 36 in / 12.7 x 91.4 cm
Large Bevel Threshold
Polished 5502-0087-0



11.8 x 27.6 in / 30 x 70 cm
Niche Back Panel
Polished 5502-0095-0



3.5 x 36 in / 89 x 91.4 cm
Niche Sill
Polished 5502-0071-0



4 x 36 in / 10.2 x 91.4 cm
Threshold
Polished 5502-0015-0



8.9 in / 22.6 cm
Corner Shelf
Polished 5503-0005-0

Marmiline, *Ivory*



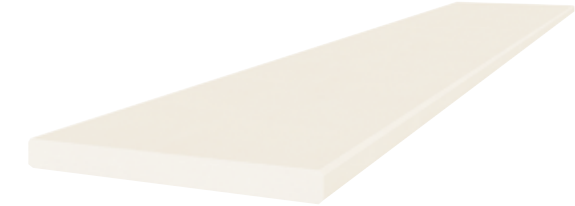
18 x 47.2 in / 45.7 x 119.8 cm
Bench
Polished 5503-0001-0



14 x 36 in / 35.5 x 91.4 cm
Sill
Polished 5503-0058-0



6 x 94.5 in / 15.2 x 240 cm
Sill
Polished 5502-0006-0



6 x 76 in / 15.2 x 193 cm
Sill
Polished 5502-0001-0



4.5 x 62 in / 11.5 x 157.5 cm
Sill
Polished 5502-0080-0



5 x 36 in / 12.7 x 91.4 cm
Large Bevel Threshold
Polished 5502-0088-0



11.8 x 27.6 in / 30 x 70 cm
Niche Back Panel
Polished 5502-0096-0



3.5 x 36 in / 89 x 91.4 cm
Niche Sill
Polished 5502-0072-0



4 x 36 in / 10.2 x 91.4 cm
Threshold
Polished 5502-0016-0



8.9 in / 22.6 cm
Corner Shelf
Polished 5503-0006-0



18 x 47.2 in / 45.7 x 119.8 cm Marmiline Ivory Polished Engineered Stone Bench



Marmiline, *Mist*



18 x 47.2 in / 45.7 x 119.8 cm
Bench
Polished 5503-0051-0



14 x 36 in / 35.5 x 91.4 cm
Sill
Polished 5503-0062-0



6 x 94.5 in / 15.2 x 240 cm
Sill
Polished 5502-0065-0



6 x 76 in / 15.2 x 193 cm
Sill
Polished 5502-0062-0



4.5 x 62 in / 11.5 x 157.5 cm
Sill
Polished 5502-0084-0



5 x 36 in / 12.7 x 91.4 cm
Large Bevel Threshold
Polished 5502-0092-0



11.8 x 27.6 in / 30 x 70 cm
Niche Back Panel
Polished 5502-0100-0



3.5 x 36 in / 89 x 91.4 cm
Niche Sill
Polished 5502-0076-0



4 x 36 in / 10.2 x 91.4 cm
Threshold
Polished 5502-0068-0



8.9 in / 22.6 cm
Corner Shelf
Polished 5503-0054-0

Marmiline, *Pearl*



18 x 47.2 in / 45.7 x 119.8 cm
Bench
Polished 5503-0003-0



14 x 36 in / 35.5 x 91.4 cm
Sill
Polished 5503-0059-0



6 x 94.5 in / 15.2 x 240 cm
Sill
Polished 5502-0008-0



6 x 76 in / 15.2 x 193 cm
Sill
Polished 5502-0003-0



4.5 x 62 in / 11.5 x 157.5 cm
Sill
Polished 5502-0081-0



5 x 36 in / 12.7 x 91.4 cm
Large Bevel Threshold
Polished 5502-0089-0



11.8 x 27.6 in / 30 x 70 cm
Niche Back Panel
Polished 5502-0097-0



3.5 x 36 in / 89 x 91.4 cm
Niche Sill
Polished 5502-0073-0



4 x 36 in / 10.2 x 91.4 cm
Threshold
Polished 5502-0018-0



8.9 in / 22.6 cm
Corner Shelf
Polished 5503-0008-0



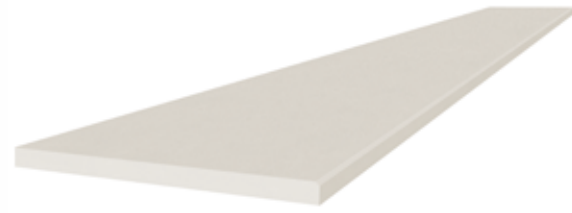
3.5 x 36 in / 89 x 91.4 cm Marmiline Mist Polished Engineered Stone Niche Sill
11.8 x 27.6 in / 30 x 70 cm Marmiline Mist Polished Engineered Stone Niche Back Panel



Marmiline, *Ash*



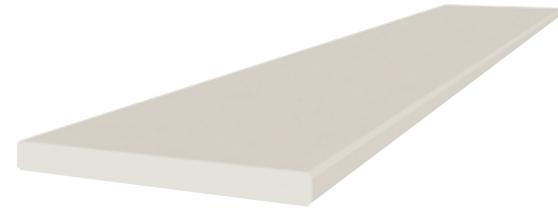
18 x 47.2 in / 45.7 x 119.8 cm
Bench
Polished 5503-0002-0



14 x 36 in / 35.5 x 91.4 cm
Sill
Polished 5503-0060-0



6 x 94.5 in / 15.2 x 240 cm
Sill
Polished 5502-0007-0



6 x 76 in / 15.2 x 193 cm
Sill
Polished 5502-0002-0



4.5 x 62 in / 11.5 x 157.5 cm
Sill
Polished 5502-0082-0



5 x 36 in / 12.7 x 91.4 cm
Large Bevel Threshold
Polished 5502-0090-0



11.8 x 27.6 in / 30 x 70 cm
Niche Back Panel
Polished 5502-0098-0



3.5 x 36 in / 89 x 91.4 cm
Niche Sill
Polished 5502-0074-0



4 x 36 in / 10.2 x 91.4 cm
Threshold
Polished 5502-0017-0



8.9 in / 22.6 cm
Corner Shelf
Polished 5503-0007-0

Marmiline, *Fog*



18 x 47.2 in / 45.7 x 119.8 cm
Bench
Polished 5503-0052-0



14 x 36 in / 35.5 x 91.4 cm
Sill
Polished 5503-0063-0



6 x 94.5 in / 15.2 x 240 cm
Sill
Polished 5502-0066-0



6 x 76 in / 15.2 x 193 cm
Sill
Polished 5502-0063-0



4.5 x 62 in / 11.5 x 157.5 cm
Sill
Polished 5502-0085-0



5 x 36 in / 12.7 x 91.4 cm
Large Bevel Threshold
Polished 5502-0093-0



11.8 x 27.6 in / 30 x 70 cm
Niche Back Panel
Polished 5502-0101-0



3.5 x 36 in / 89 x 91.4 cm
Niche Sill
Polished 5502-0077-0



4 x 36 in / 10.2 x 91.4 cm
Threshold
Polished 5502-0069-0



8.9 in / 22.6 cm
Corner Shelf
Polished 5503-0055-0

Marmiline, *Shadow*



18 x 47.2 in / 45.7 x 119.8 cm
Bench
Polished 5503-0004-0



14 x 36 in / 35.5 x 91.4 cm
Sill
Polished 5503-0061-0



6 x 94.5 in / 15.2 x 240 cm
Sill
Polished 5502-0009-0



6 x 76 in / 15.2 x 193 cm
Sill
Polished 5502-0004-0



4.5 x 62 in / 11.5 x 157.5 cm
Sill
Polished 5502-0083-0



5 x 36 in / 12.7 x 91.4 cm
Large Bevel Threshold
Polished 5502-0091-0



11.8 x 27.6 in / 30 x 70 cm
Niche Back Panel
Polished 5502-0099-0



3.5 x 36 in / 89 x 91.4 cm
Niche Sill
Polished 5502-0075-0



4 x 36 in / 10.2 x 91.4 cm
Threshold
Polished 5502-0019-0



8.9 in / 22.6 cm
Corner Shelf
Polished 5503-0009-0

Marmiline, *Midnight*



18 x 47.2 in / 45.7 x 119.8 cm
Bench
Polished 5503-0053-0



14 x 36 in / 35.5 x 91.4 cm
Sill
Polished 5503-0064-0



6 x 94.5 in / 15.2 x 240 cm
Sill
Polished 5502-0067-0



6 x 76 in / 15.2 x 193 cm
Sill
Polished 5502-0064-0



4.5 x 62 in / 11.5 x 157.5 cm
Sill
Polished: 5502-0086-0



5 x 36 in / 12.7 x 91.4 cm
Large Bevel Threshold
Polished 5502-0094-0



11.8 x 27.6 in / 30 x 70 cm
Niche Back Panel
Polished 5502-0102-0



3.5 x 36 in / 89 x 91.4 cm
Niche Sill
Polished 5502-0078-0

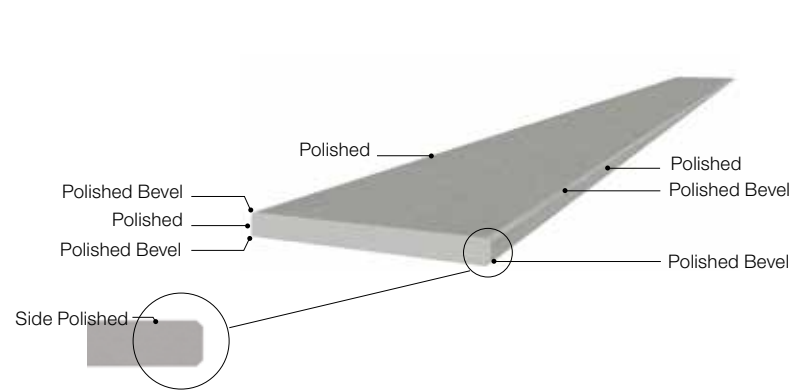


4 x 36 in / 10.2 x 91.4 cm
Threshold
Polished 5502-0070-0



8.9 in / 22.6 cm
Corner Shelf
Polished 5503-0056-0

Marmiline, Engineered Stone Sill



Pre-Sealed:

Marmiline is pre-sealed to improve resistance to common staining agents. Sealing does not prevent etching – avoid acids, strong chemicals and sodium softened water which can etch Marmiline, marble, and other calcium-based stones. Reseal as needed for prolonged performance.

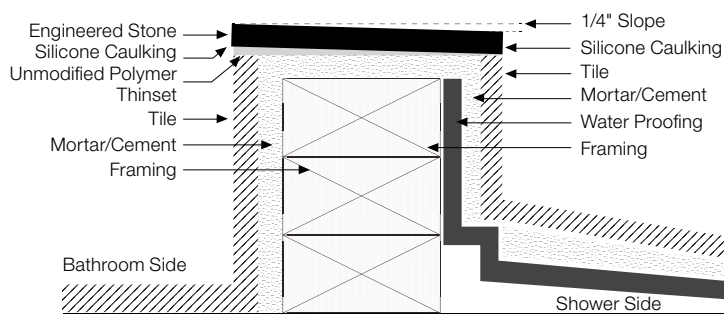
General Care & Maintenance:

- Wipe up any spills immediately and clean the area using a damp cloth.
- Inspect all product prior to installation by removing plastic for any color/shade variation and verifying size, thickness, bevel, and polishing defects.
- Do not expose engineered stone to: acidic or alkali products, dyes or color-treating products, or products containing any oils or powders.
- Daily cleaning: use a soft cloth with warm water and small amount of mild PH neutral non-pigmented cleaner (non-abrasive and does not contain bleach).
- Do not use abrasives or any products that may scratch the surface.
- For light stains, gently apply rubbing alcohol to the stain. Rinse and wipe dry. Reseal after this method.
- For heavier stains, soak a cloth with a 50/50 mix of bleach and water. Leave on top of the stain for 10 minutes, but no longer than 30 minutes. Rinse and wipe dry. Reseal after this method.
- Do not expose engineered stone to sudden and rapid temperature changes.
- Note: engineered stone products are not recommended for steam showers.
- Contact a professional stone restoration company to treat any engineered stone with stubborn stains and/or etching.

How to install:

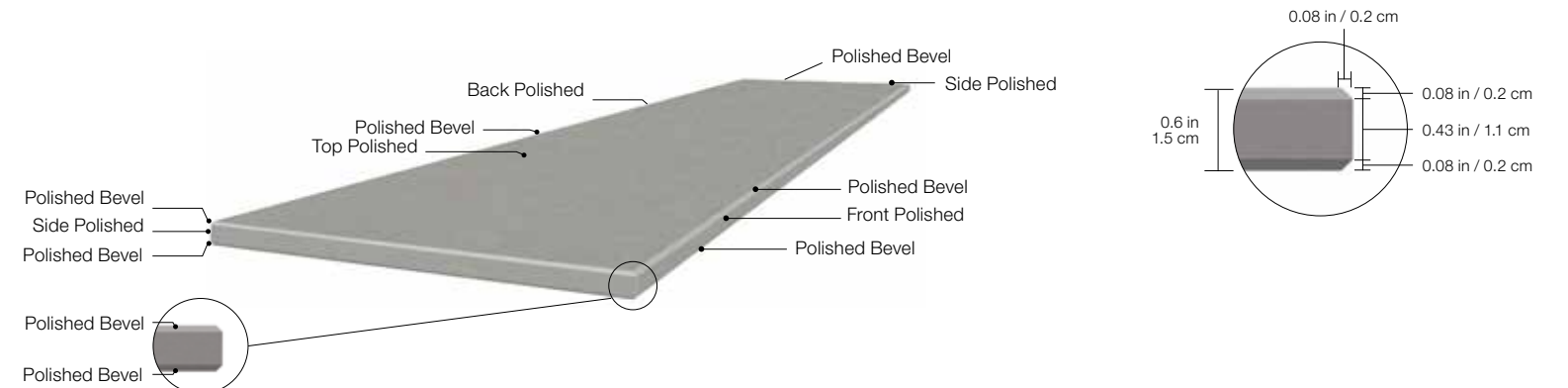
1. Cut the engineered stone (face side up) to the required dimensions with a circular saw, or wet saw. DO NOT USE DRY CUTTING METHODS. Wear a respirator when cutting, grinding, or polishing. Children should not be present during cutting, grinding, or polishing.
2. Clean surface thoroughly prior to adhering the threshold to the shower curb.
3. Maintain plastic covering to protect during installation.
4. Adhere threshold to curb using an unmodified polymer thinset.
5. Build up outside edge of curb with thinset to create a 1/4" slope towards the inside of the shower for proper drainage when using as a shower sill.
6. Caulk at the walls and under the sill using silicone caulking to prevent water leaks.

NOTE: NO CLAIMS WILL BE ACCEPTED AFTER THE MATERIAL HAS BEEN INSTALLED.



Installation Diagram

Marmiline, Engineered Stone Bench



Pre-Sealed:

Marmiline is pre-sealed to improve resistance to common staining agents. Sealing does not prevent etching – avoid acids, strong chemicals and sodium softened water which can etch Marmiline, marble, and other calcium-based stones. Reseal as needed for prolonged performance.

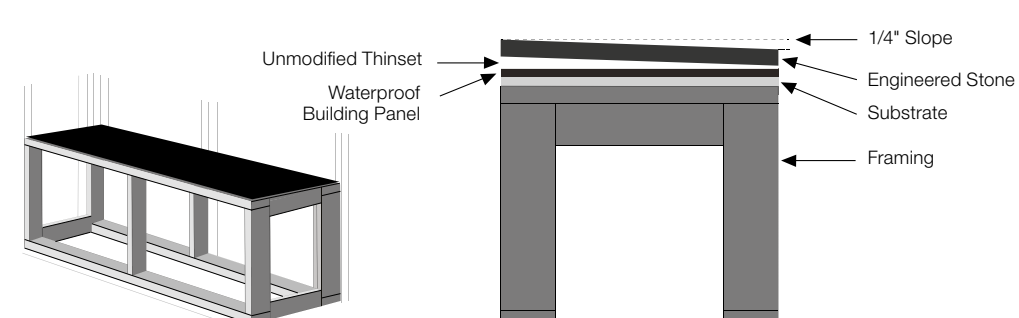
General Care & Maintenance:

- Wipe up any spills immediately and clean the area using a damp cloth.
- Inspect all product prior to installation by removing plastic for any color/shade variation and verifying size, thickness, bevel, and polishing defects.
- Do not expose engineered stone to: acidic or alkali products, dyes or color-treating products, or products containing any oils or powders.
- Daily cleaning: use a soft cloth with warm water and small amount of mild PH neutral non-pigmented cleaner (non-abrasive and does not contain bleach).
- Do not use abrasives or any products that may scratch the surface.
- For light stains, gently apply rubbing alcohol to the stain. Rinse and wipe dry. Reseal after this method.
- For heavier stains, soak a cloth with a 50/50 mix of bleach and water. Leave on top of the stain for 10 minutes, but no longer than 30 minutes. Rinse and wipe dry. Reseal after this method.
- Do not expose engineered stone to sudden and rapid temperature changes.
- Note: engineered stone products are not recommended for steam showers.
- Contact a professional stone restoration company to treat any engineered stone with stubborn stains and/or etching.

How to install:

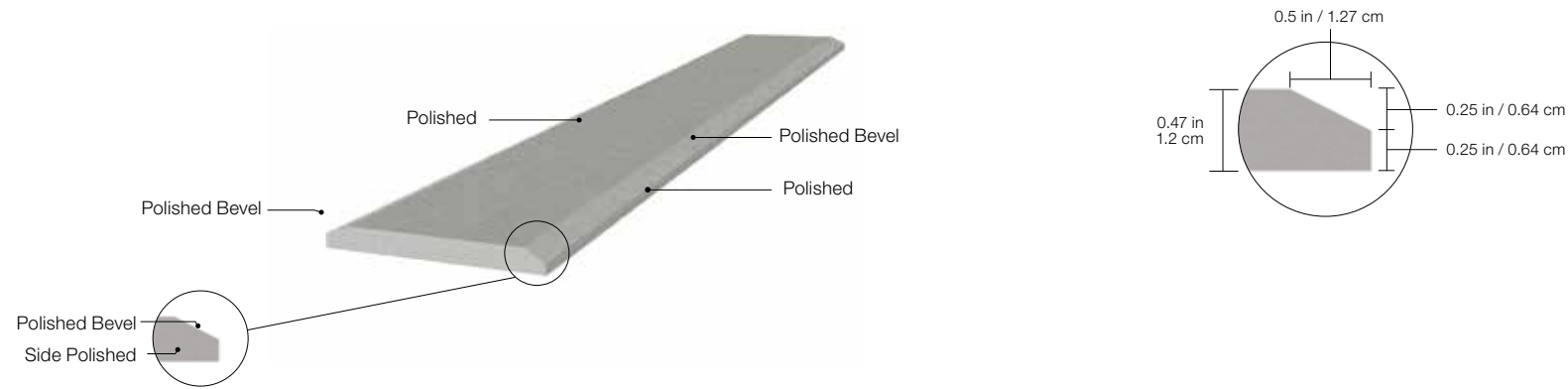
1. Cut the engineered stone (face side up) to the required dimensions with a circular saw, or wet saw. DO NOT USE DRY CUTTING METHODS. Wear a respirator when cutting, grinding, or polishing. Children should not be present during cutting, grinding, or polishing.
2. There are several choices for the framing construction on which the engineered stone must rest upon. After-market and pre-fabricated benches can be used, or a rigid structure can be created with the use of a suitable substrate and a waterproof membrane. Consult a certified contractor for local building codes.
3. A free floating bench installation cannot be used with this engineered stone.
4. Ensure that the top of the bench is sloped with a 1/4" angle toward the front of the bench to allow proper drainage of liquid.
5. Maintain plastic covering to protect during installation.
6. Install the engineered stone bench top using a premium, unmodified thinset.
7. Important notes: waterproofing on the walls must be continuous from the wall, over the top of the bench sub-structure, and down over the face. The top of the bench must be sloped towards the drain. If using a wooden bench frame, waterproofing is required and must be tied into the floor and wall membranes.

NOTE: NO CLAIMS WILL BE ACCEPTED AFTER THE MATERIAL HAS BEEN INSTALLED.



Installation Diagram

Marmiline, Engineered Stone Large Bevel Threshold



Pre-Sealed:

Marmiline is pre-sealed to improve resistance to common staining agents. Sealing does not prevent etching – avoid acids, strong chemicals and sodium softened water which can etch Marmiline, marble, and other calcium-based stones. Reseal as needed for prolonged performance.

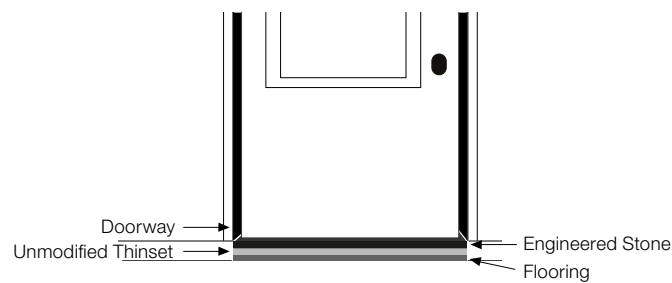
General Care & Maintenance:

- Wipe up any spills immediately and clean the area using a damp cloth.
- Inspect all product prior to installation by removing plastic for any color/shade variation and verifying size, thickness, bevel, and polishing defects.
- Do not expose engineered stone to: acidic or alkali products, dyes or color-treating products, or products containing any oils or powders.
- Daily cleaning: use a soft cloth with warm water and small amount of mild PH neutral non-pigmented cleaner (non-abrasive and does not contain bleach).
- Do not use abrasives or any products that may scratch the surface.
- For light stains, gently apply rubbing alcohol to the stain. Rinse and wipe dry. Reseal after this method.
- For heavier stains, soak a cloth with a 50/50 mix of bleach and water. Leave on top of the stain for 10 minutes, but no longer than 30 minutes. Rinse and wipe dry. Reseal after this method.
- Do not expose engineered stone to sudden and rapid temperature changes.
- Note: engineered stone products are not recommended for steam showers.
- Contact a professional stone restoration company to treat any engineered stone with stubborn stains and/or etching.

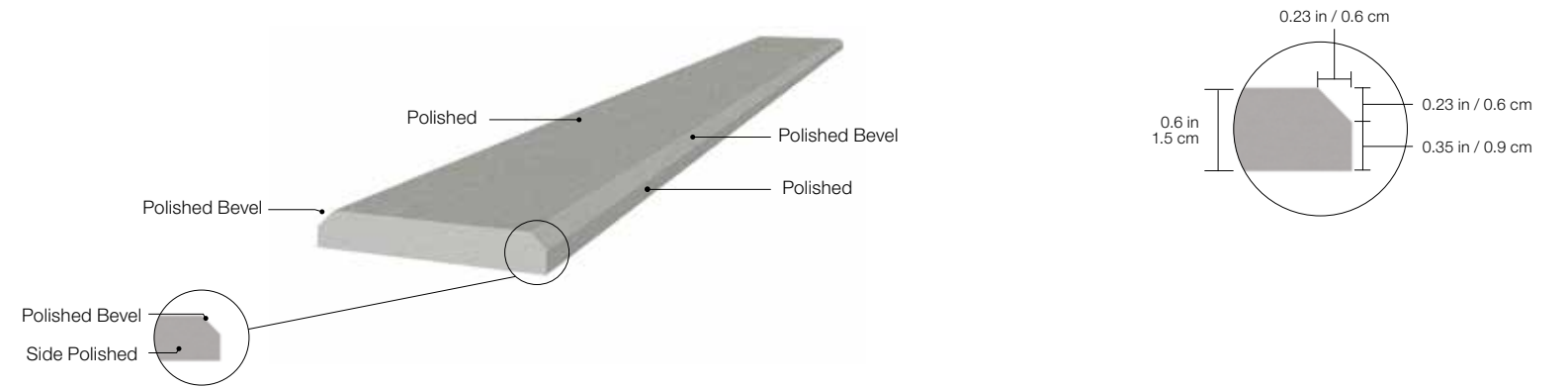
How to install:

1. Clean the area of installation by sweeping or vacuuming thoroughly, ensuring that no dirt or debris is in the area. Clean surface thoroughly prior to adhering the threshold.
2. Cut the engineered stone (face side up) to the required dimensions with a circular saw, or wet saw. DO NOT USE DRY CUTTING METHODS. Wear a respirator when cutting, grinding, or polishing. Children should not be present during cutting, grinding, or polishing.
3. Maintain plastic covering to protect during installation.
4. Spread a thin layer of unmodified thinset directly onto area of installation, using a ¼" inch notched trowel to spread evenly.
5. Adhere threshold to installation area onto thinset, ensuring that it is lined up correctly before pushing firmly to secure.
6. Wait for thinset to cure as per the manufacturer's instructions before use.

NOTE: NO CLAIMS WILL BE ACCEPTED AFTER THE MATERIAL HAS BEEN INSTALLED.



Marmiline, Engineered Stone Threshold



Pre-Sealed:

Marmiline is pre-sealed to improve resistance to common staining agents. Sealing does not prevent etching – avoid acids, strong chemicals and sodium softened water which can etch Marmiline, marble, and other calcium-based stones. Reseal as needed for prolonged performance.

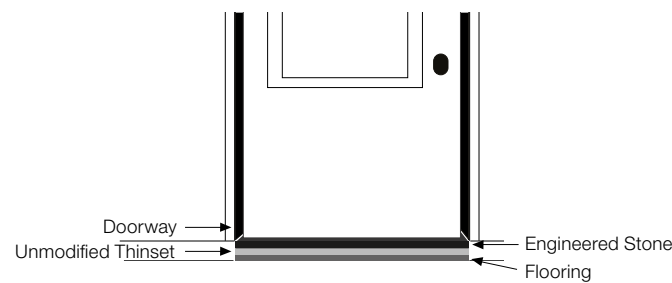
General Care & Maintenance:

- Wipe up any spills immediately and clean the area using a damp cloth.
- Inspect all product prior to installation by removing plastic for any color/shade variation and verifying size, thickness, bevel, and polishing defects.
- Do not expose engineered stone to: acidic or alkali products, dyes or color-treating products, or products containing any oils or powders.
- Daily cleaning: use a soft cloth with warm water and small amount of mild PH neutral non-pigmented cleaner (non-abrasive and does not contain bleach).
- Do not use abrasives or any products that may scratch the surface.
- For light stains, gently apply rubbing alcohol to the stain. Rinse and wipe dry. Reseal after this method.
- For heavier stains, soak a cloth with a 50/50 mix of bleach and water. Leave on top of the stain for 10 minutes, but no longer than 30 minutes. Rinse and wipe dry. Reseal after this method.
- Do not expose engineered stone to sudden and rapid temperature changes.
- Note: engineered stone products are not recommended for steam showers.
- Contact a professional stone restoration company to treat any engineered stone with stubborn stains and/or etching.

How to install:

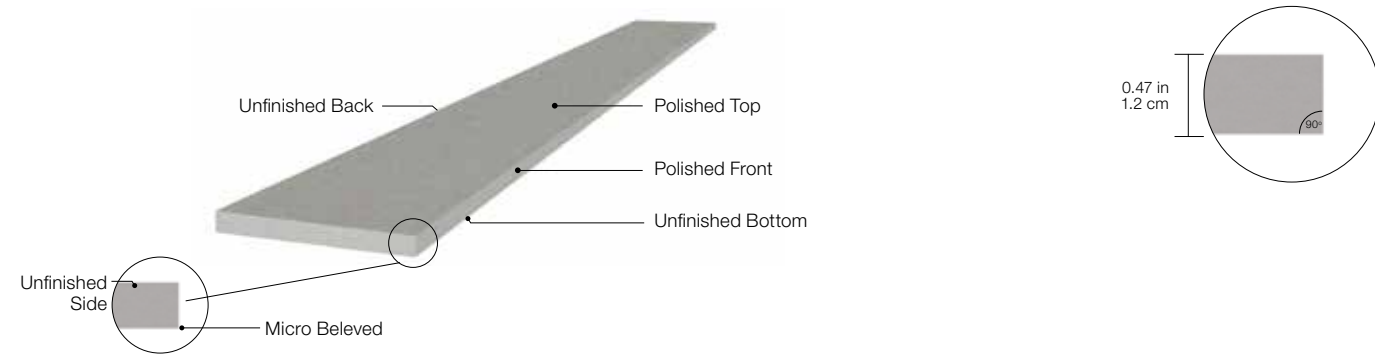
1. Clean the area of installation by sweeping or vacuuming thoroughly, ensuring that no dirt or debris is in the area. Clean surface thoroughly prior to adhering the threshold.
2. Cut the engineered stone (face side up) to the required dimensions with a circular saw, or wet saw. DO NOT USE DRY CUTTING METHODS. Wear a respirator when cutting, grinding, or polishing. Children should not be present during cutting, grinding, or polishing.
3. Maintain plastic covering to protect during installation.
4. Spread a thin layer of unmodified thinset directly onto area of installation, using a ¼" inch notched trowel to spread evenly.
5. Adhere threshold to installation area onto thinset, ensuring that it is lined up correctly before pushing firmly to secure.
6. Wait for thinset to cure as per the manufacturer's instructions before use.

NOTE: NO CLAIMS WILL BE ACCEPTED AFTER THE MATERIAL HAS BEEN INSTALLED.



Installation Diagram

Marmiline, Engineered Stone Niche Sill



Pre-Sealed:

Marmiline is pre-sealed to improve resistance to common staining agents. Sealing does not prevent etching – avoid acids, strong chemicals and sodium softened water which can etch Marmiline, marble, and other calcium-based stones. Reseal as needed for prolonged performance.

General Care & Maintenance:

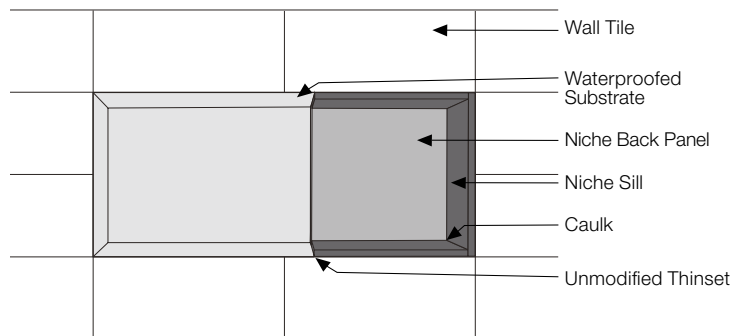
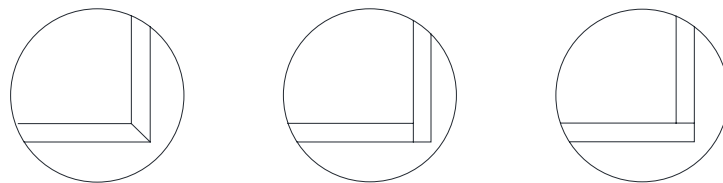
- Wipe up any spills immediately and clean the area using a damp cloth.
- Inspect all product prior to installation by removing plastic for any color/shade variation and verifying size, thickness, bevel, and polishing defects.
- Do not expose engineered stone to: acidic or alkali products, dyes or color-treating products, or products containing any oils or powders.
- Daily cleaning: use a soft cloth with warm water and small amount of mild PH neutral non-pigmented cleaner (non-abrasive and does not contain bleach).
- Do not use abrasives or any products that may scratch the surface.
- For light stains, gently apply rubbing alcohol to the stain. Rinse and wipe dry. Reseal after this method.
- For heavier stains, soak a cloth with a 50/50 mix of bleach and water. Leave on top of the stain for 10 minutes, but no longer than 30 minutes. Rinse and wipe dry. Reseal after this method.
- Do not expose engineered stone to sudden and rapid temperature changes.
- Note: engineered stone products are not recommended for steam showers.
- Contact a professional stone restoration company to treat any engineered stone with stubborn stains and/or etching.

How to install:

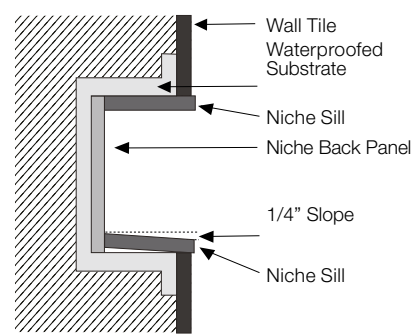
1. Cut the engineered stone (face side up) to the required dimensions with a circular saw, or wet saw. DO NOT USE DRY CUTTING METHODS. Wear a respirator when cutting, grinding, or polishing. Children should not be present during cutting, grinding, or polishing. It is recommended to set the niche sill first before measuring the size of the niche back.
2. Clean surface thoroughly prior to adhering the threshold to the prepared and waterproofed niche (refer to niche manufacture instructions or local building codes).
3. Maintain plastic covering to protect during installation.
4. Adhere to the prepared niche using an unmodified polymer thinset or thinset as recommended by the waterproof system manufacturer.
5. Caulk all corners of the finished niche to prevent water leaks.

NOTE: NO CLAIMS WILL BE ACCEPTED AFTER THE MATERIAL HAS BEEN INSTALLED.

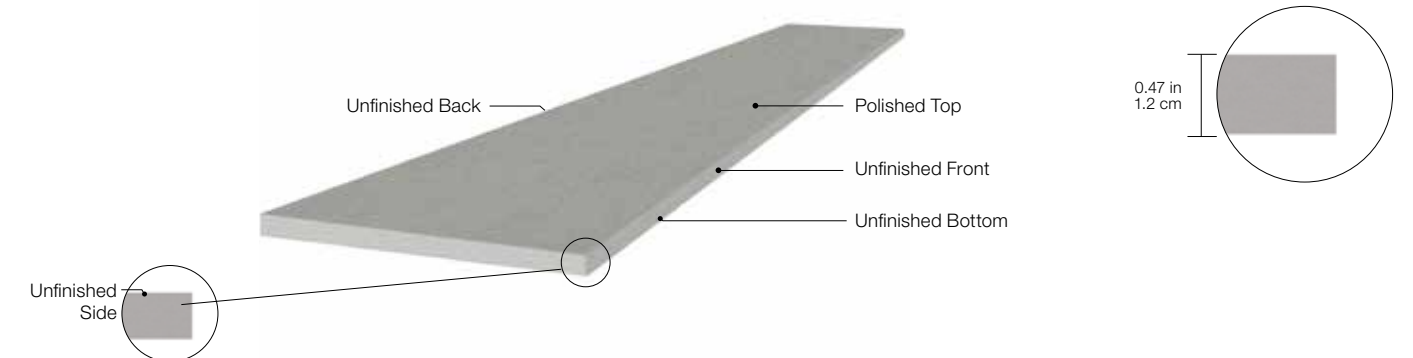
Niche Sill Corner Installation Types



Installation Diagram



Marmiline, Engineered Stone Niche Back Panel



Pre-Sealed:

Marmiline is pre-sealed to improve resistance to common staining agents. Sealing does not prevent etching – avoid acids, strong chemicals and sodium softened water which can etch Marmiline, marble, and other calcium-based stones. Reseal as needed for prolonged performance.

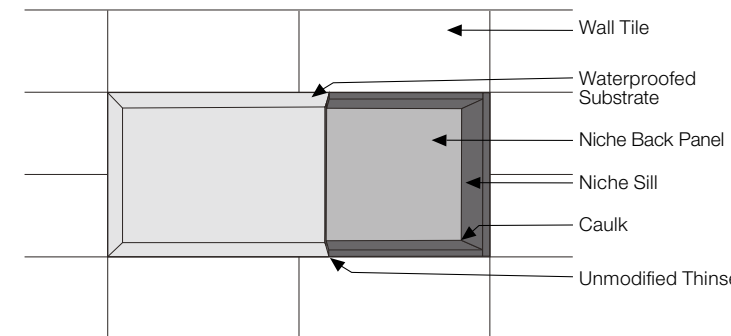
General Care & Maintenance:

- Wipe up any spills immediately and clean the area using a damp cloth.
- Inspect all product prior to installation by removing plastic for any color/shade variation and verifying size, thickness, bevel, and polishing defects.
- Do not expose engineered stone to: acidic or alkali products, dyes or color-treating products, or products containing any oils or powders.
- Daily cleaning: use a soft cloth with warm water and small amount of mild PH neutral non-pigmented cleaner (non-abrasive and does not contain bleach).
- Do not use abrasives or any products that may scratch the surface.
- For light stains, gently apply rubbing alcohol to the stain. Rinse and wipe dry. Reseal after this method.
- For heavier stains, soak a cloth with a 50/50 mix of bleach and water. Leave on top of the stain for 10 minutes, but no longer than 30 minutes. Rinse and wipe dry. Reseal after this method.
- Do not expose engineered stone to sudden and rapid temperature changes.
- Note: engineered stone products are not recommended for steam showers.
- Contact a professional stone restoration company to treat any engineered stone with stubborn stains and/or etching.

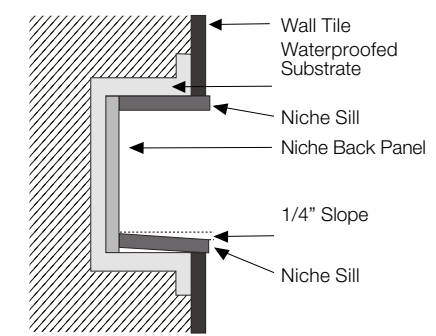
How to install:

1. Cut the engineered stone (face side up) to the required dimensions with a circular saw, or wet saw. DO NOT USE DRY CUTTING METHODS. Wear a respirator when cutting, grinding, or polishing. Children should not be present during cutting, grinding, or polishing. It is recommended to set the niche sill first before measuring the size of the niche back.
2. Clean surface thoroughly prior to adhering the threshold to the prepared and waterproofed niche (refer to niche manufacture instructions or local building codes).
3. Maintain plastic covering to protect during installation.
4. Adhere to the prepared niche using an unmodified polymer thinset or thinset as recommended by the waterproof system manufacturer.
5. Caulk all corners of the finished niche to prevent water leaks.

NOTE: NO CLAIMS WILL BE ACCEPTED AFTER THE MATERIAL HAS BEEN INSTALLED.



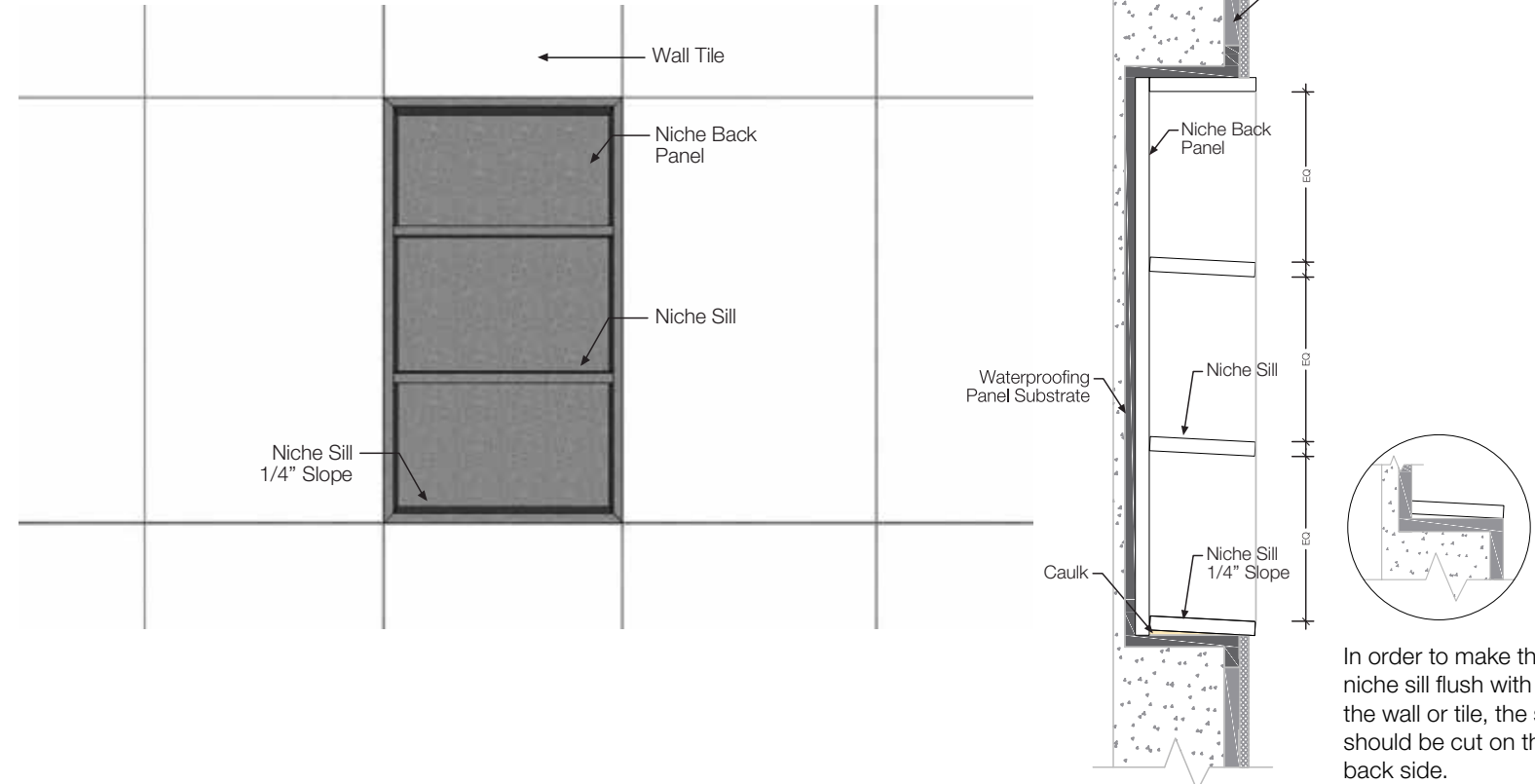
Installation Diagram



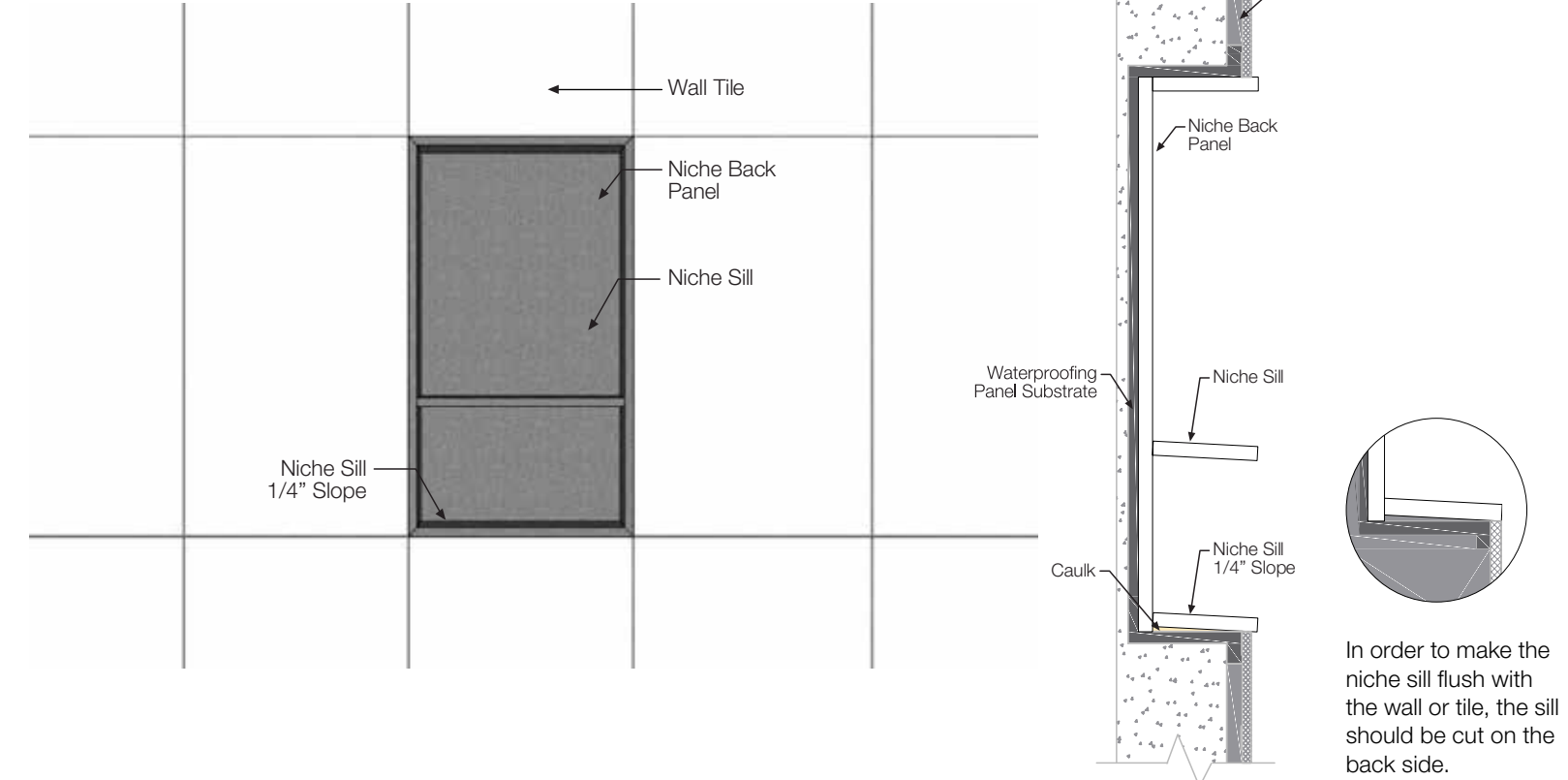
Marmiline, Engineered Stone Niche Sill & Back Panel Installations

Multiple niche sills would be needed for this application depending on the desired niche size.

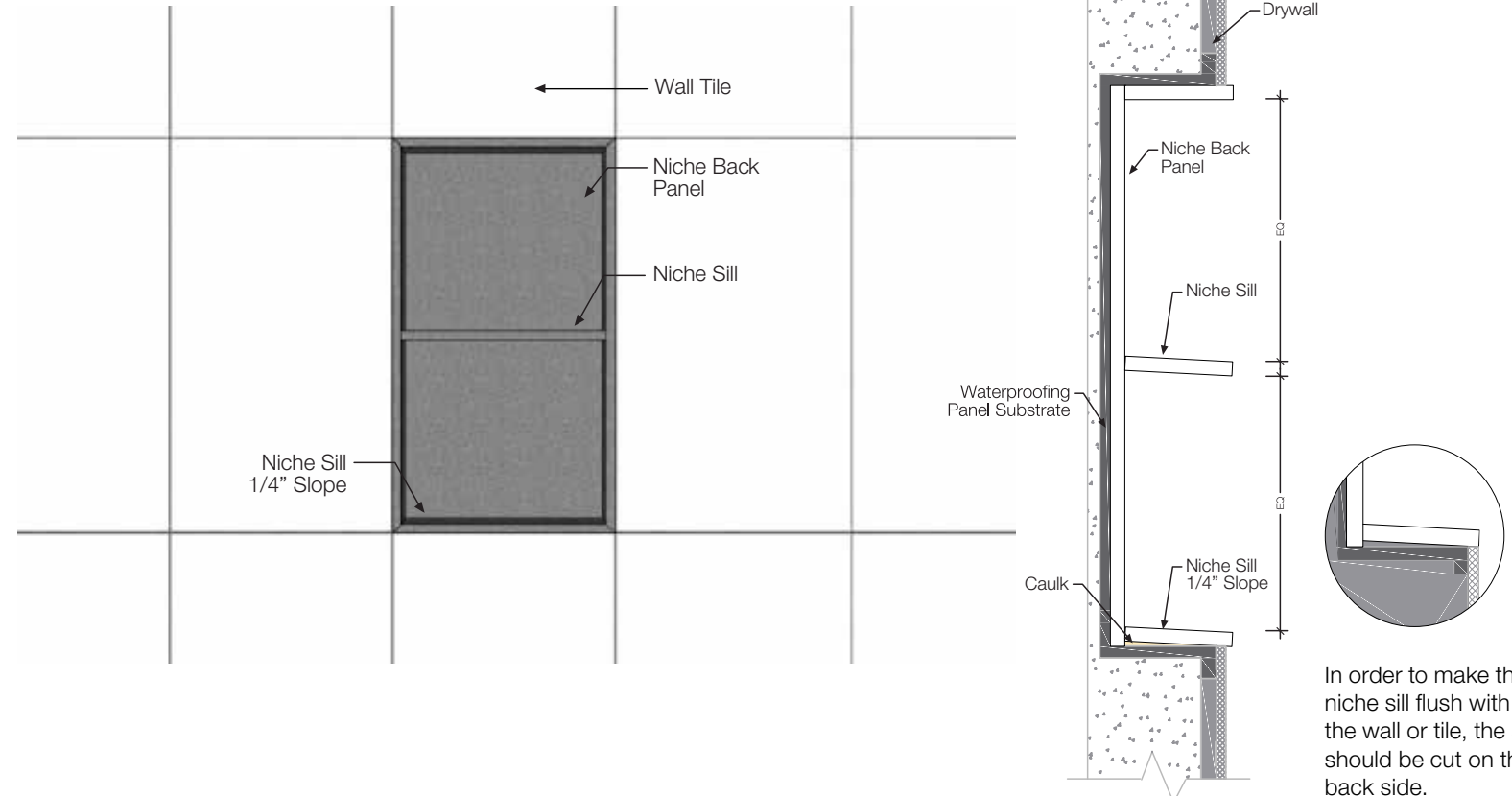
Regular Shower Niche Type 01



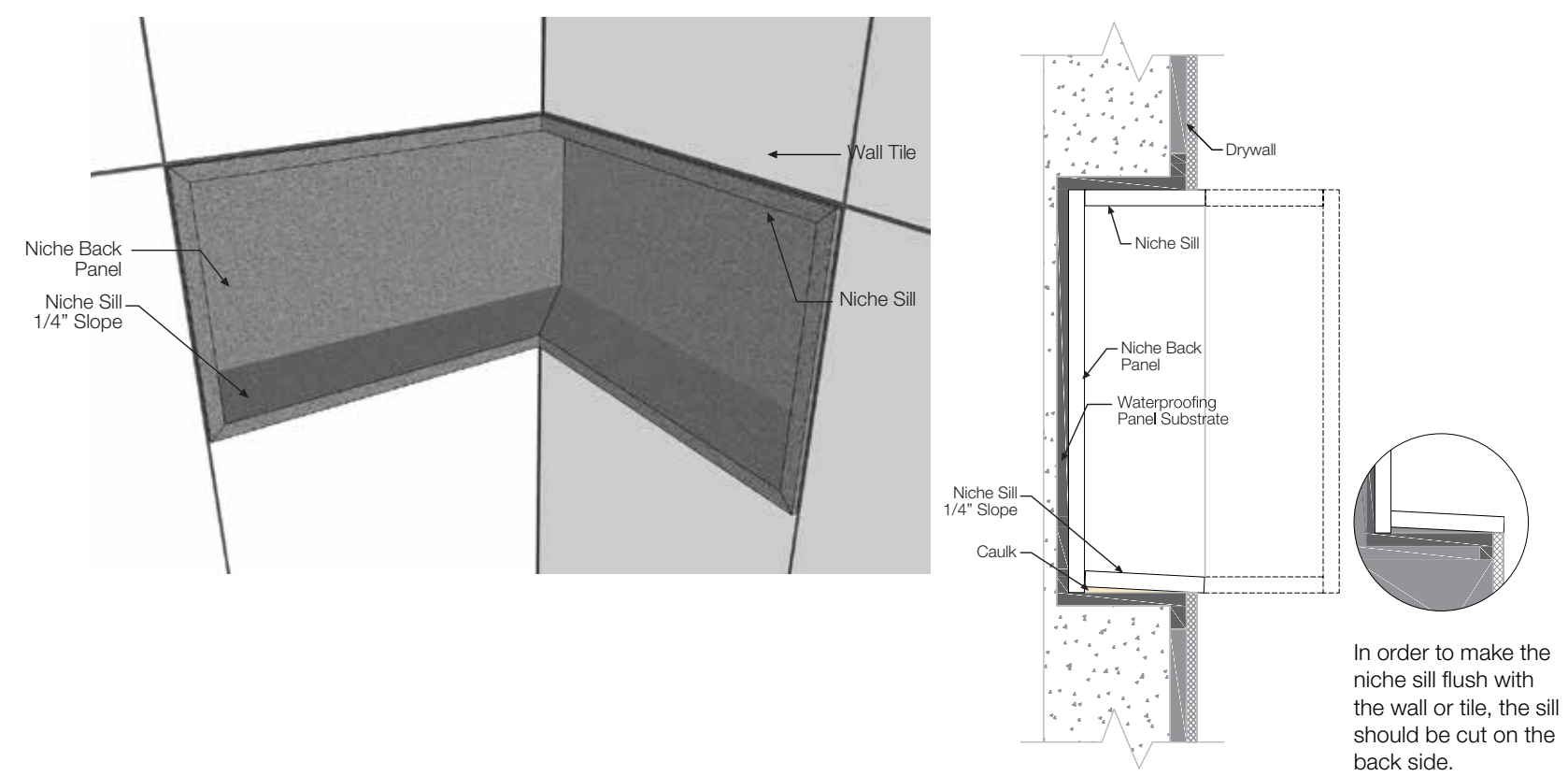
Regular Shower Niche Type 03



Regular Shower Niche Type 02



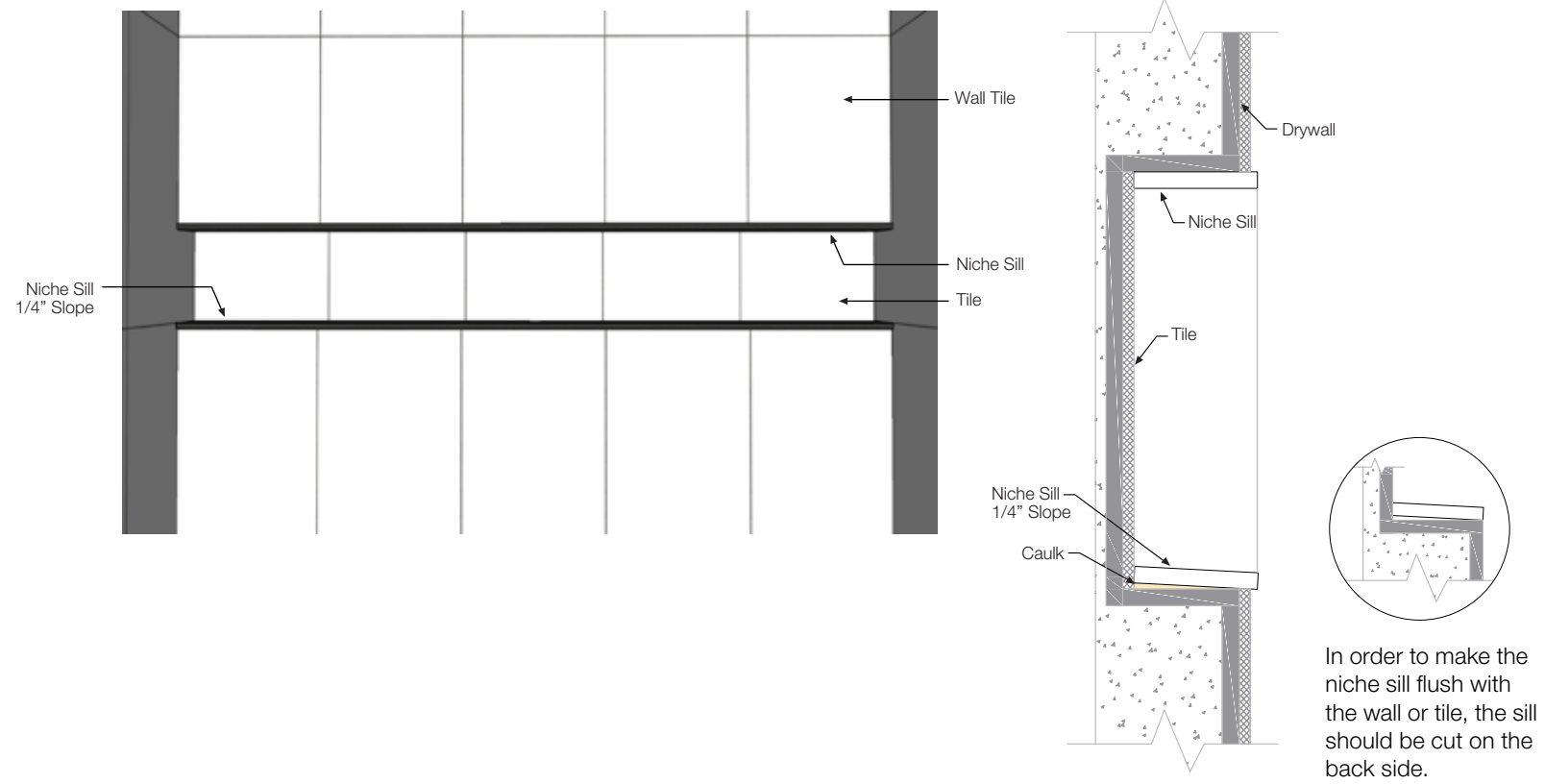
Corner Shower Niche



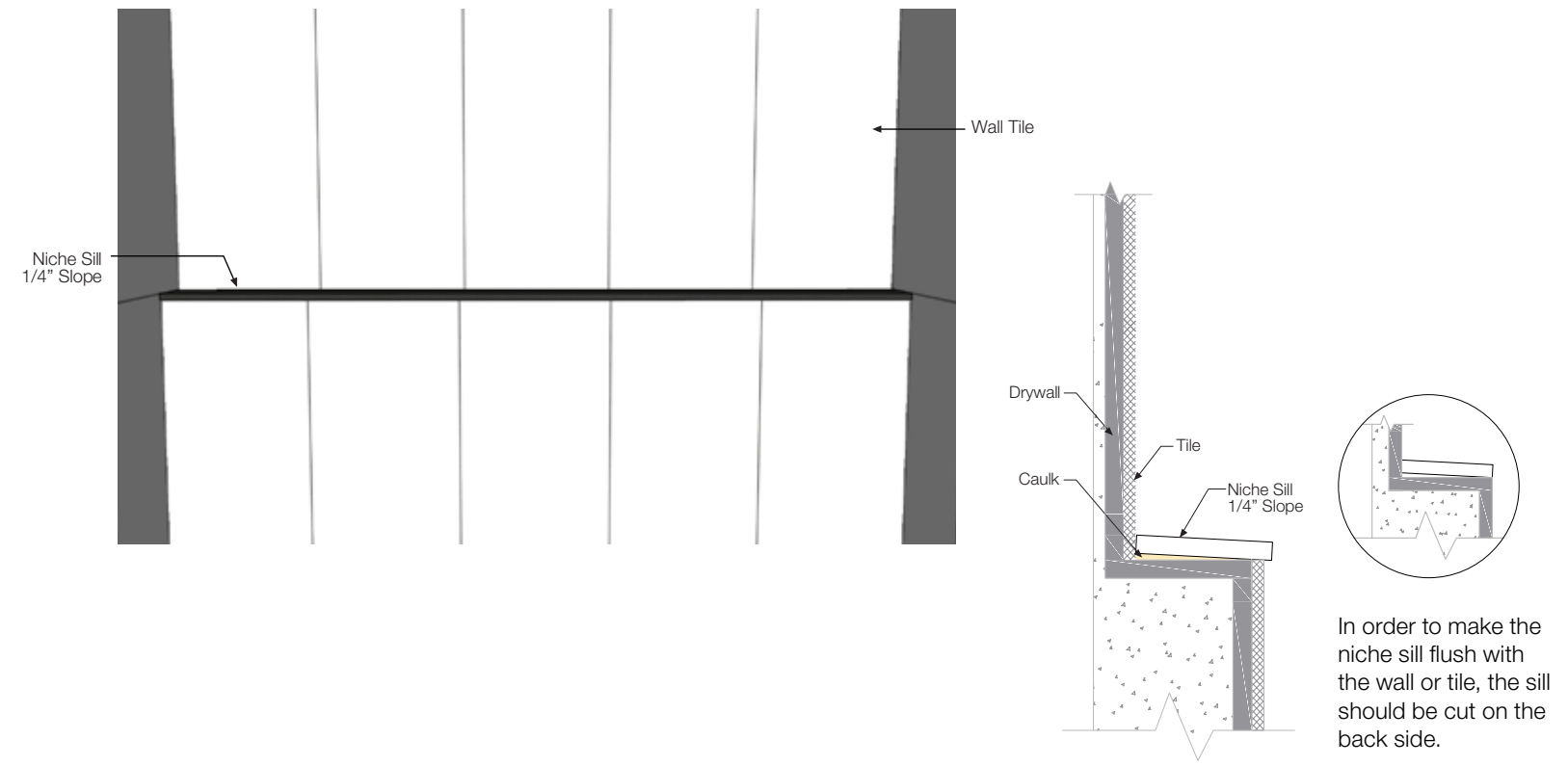
Marmiline, Engineered Stone Niche Sill & Back Panel Installations

Multiple niche sills would be needed for this application depending on the desired niche size.

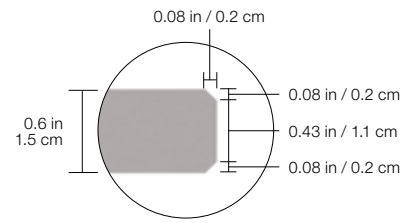
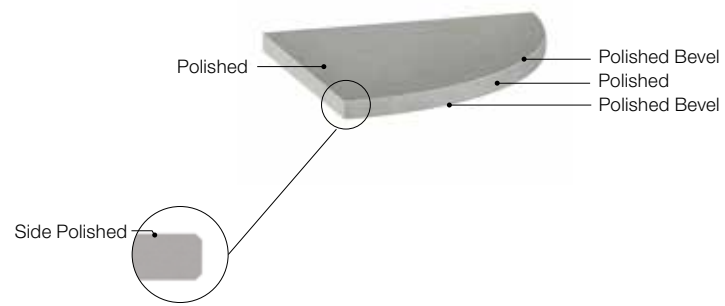
Long Shower Niche



Extruded Half-Wall Niche



Marmiline, Engineered Stone Round Corner Shelf



Pre-Sealed:

Marmiline is pre-sealed to improve resistance to common staining agents. Sealing does not prevent etching – avoid acids, strong chemicals and sodium softened water which can etch Marmiline, marble, and other calcium-based stones. Reseal as needed for prolonged performance.

General Care & Maintenance:

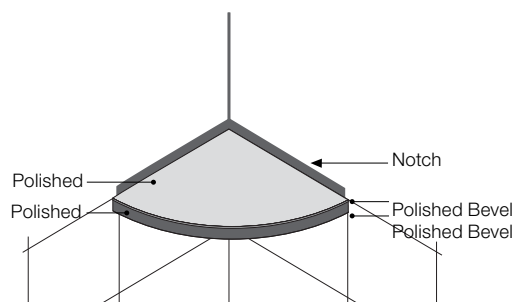
- Wipe up any spills immediately and clean the area using a damp cloth.
- Inspect all product prior to installation by removing plastic for any color/shade variation and verifying size, thickness, bevel, and polishing defects.
- Do not expose engineered stone to: acidic or alkali products, dyes or color-treating products, or products containing any oils or powders.
- Daily cleaning: use a soft cloth with warm water and small amount of mild PH neutral non-pigmented cleaner (non-abrasive and does not contain bleach).
- Do not use abrasives or any products that may scratch the surface.
- For light stains, gently apply rubbing alcohol to the stain. Rinse and wipe dry. Reseal after this method.
- For heavier stains, soak a cloth with a 50/50 mix of bleach and water. Leave on top of the stain for 10 minutes, but no longer than 30 minutes. Rinse and wipe dry. Reseal after this method.
- Do not expose engineered stone to sudden and rapid temperature changes.
- Note: engineered stone products are not recommended for steam showers.
- Contact a professional stone restoration company to treat any engineered stone with stubborn stains and/or etching.

How to install:

NOTE: Installation of corner shower shelf should be done at time of tiling of bathtub wall tiles to ensure easy and correct installation.

1. Clean the installation area with a neutral cleaner and lint free cloth.
2. Cut the tile to allow the width of the corner shelf to fit. Ensure the shelf is sloped to allow water drainage. DO NOT USE DRY CUTTING METHODS. Wear a respirator when cutting, grinding, or polishing. Children should not be present during cutting, grinding, or polishing.
3. Apply unmodified thinset to the back edge of the shelf, pressing the shelf firmly into the notch while applying even pressure.
4. Use wedge spacers to fit the shelf flush to the upper tile border, and wait for thinset to cure as per the manufacturer's instructions before use.
5. Apply silicone caulk to the top edges of the shelf to seal, using a water finger to smoothen out any excess caulk. Use a damp sponge to clean any excess caulk, carefully using a knife to remove any extra adhesive on the top and bottom of the shelf.

NOTE: NO CLAIMS WILL BE ACCEPTED AFTER THE MATERIAL HAS BEEN INSTALLED.



Installation Diagram

The Anatolia difference
Unmatched elegance and unparalleled perfection.

Anatolia reinvents shapes and design compositions through refined color palettes, innovative graphical refinements and creative reinterpretations of traditional, cultural and trend led inspirations. Meticulous care is taken to enhance a product's formation through graphical and technical improvements at every step of the development and execution process. This leads to the most exquisite and discerning tile collections.





Technical Performance
Avant-garde design and attention to detail.

The goal of Anatolia's design department was to create the utmost elegant and sophisticated product, a perfect blend of functionality and style. New technical aspects, innovative shapes, and a new color palette were designed to represent the vibrant and lively nature of metropolitan city life, inspired by its culture and history.

The World of Anatolia

We are a constellation of people and places. Get in touch.

CANADA
TORONTO HEAD OFFICE,
SHOWROOM AND DISTRIBUTION
CENTER

8300 Huntington Road
Vaughan, ON, L4H 4Z6
Canada

info@anatolia.com

Tel: +1 905 771 3800
Toll free tel: 1 877 311 3434
Fax: +1 905 771 6300
Fax: +1 866 324 1838

USA
SAVANNAH OFFICE, SHOWROOM
AND DISTRIBUTION CENTER
Anatolia (USA) Inc.
Tel: +1 877 311 3434

SAVANNAH WAREHOUSE #1
202 International Trade Pkwy
Port Wentworth, GA, 31407
USA
Tel: +1 912 438 5167

SAVANNAH WAREHOUSE #2
250 International Trade Pkwy
Port Wentworth, GA, 31407
USA
Tel: +1 912 438 5167

TURKIYE
IZMIR OFFICE, SHOWROOM
AND DISTRIBUTION CENTRE

Aliağa Organize Sanayi Bölgesi
Çoraklar Mah. 5000 Sk. No: 34
35800 Aliağa, İzmir,
Türkiye
Tel: +90 232 520 7300

IZMIR MANUFACTURING FACILITY

Aliağa Organize Sanayi Bölgesi
Çoraklar Mah. 5000 Sk. No: 25 35800
Aliağa, İzmir,
Türkiye
Tel: +90 232 520 7300

REGIONAL OFFICES
CHINA
Room 517 Yi Shu Da Lou Ji Hua 4 Road
Chan Cheng District, Foshan City
Guang Dong Province, 528000
China

INDIA
206 - Pacific Business Park
Mahendra Nagar (Part)
8/A - National High Way
Morbi, Gujarat, 363642
India

USA
Anatolia (USA) Inc.
131 Crosslake Park Dr., Suite 203
 Mooresville, NC, 28117
USA
Tel: +1 877 311 3434

Credits

ART DIRECTION
AND GRAPHIC DESIGN
Juma

Partnerships and Associations

idc
interior designers of canada
designers d'intérieur du canada

TTMAC  ACTTM

AMERICAN
SOCIETY OF
INTERIOR
DESIGNERS 

Discover more at
anatolia.com

